

Optical Comb Generator WTAS-02



WTAS-02 is a Fabry-Perot Electro-Optic optical frequency comb generator with high frequency stability and low phase noise. The components are all passive so that the comb stability and comb interval are equal to input laser and modulation frequency (RF) respectively. Hermetic sealed waveguide FP-EO modulator/OFCG-2.5-25A is built-in for comb generator to realize high performances and high reliability. The generated comb span becomes 10 THz (Typ.). WTAS-02 is all-in-one unit and user friendly*1.

*1 not including input laser.

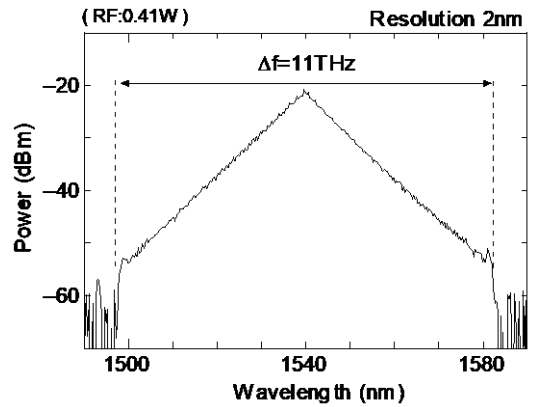
Features

- High finesse FP cavity
- High stability and low phase noise
- Stable comb output

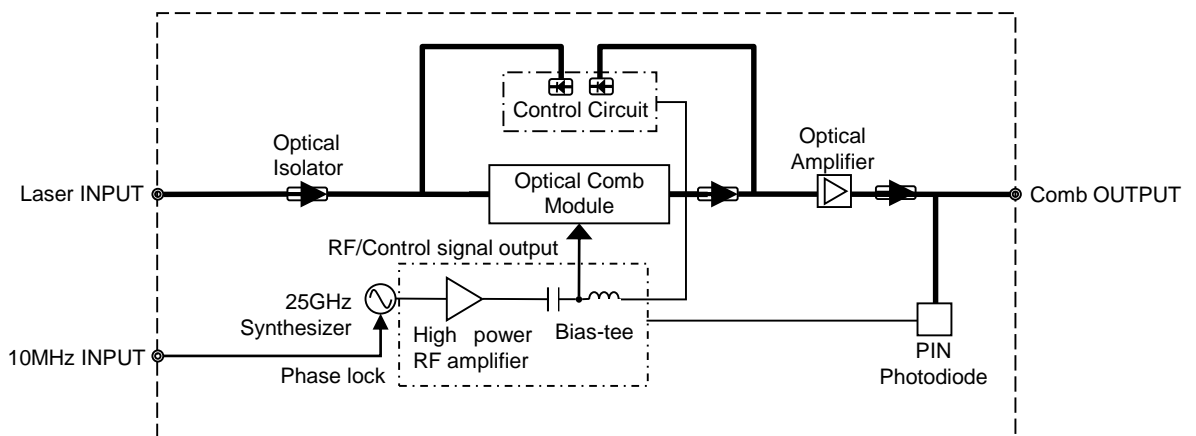
Applications

- Optical Communication
- OCT
- Optical Metrology
- Phase-locked THz-wave synthesis

Comb Spectrum



Configuration



Item	Specification	Item	Specification
Optical Input		Comb Output	
Center wavelength* ²	1,550 nm	Comb interval	25 GHz
Optical input power	30 ~ 40 mW	Career frequency stability	Same as input laser
Line-width	≦ 10MHz	Comb interval stability	Same as reference
Optical fiber	PM	Comb Output	≧ 1mW
Polarization	Slow axis	Comb span	10 THz (Typ.) (+/- 40nm from center wavelength)
Optical connector	SC/APC	Flatness	-7 dB / THz (Typ.)
Reference Signal* ³		Others	
Reference signal	External	Power supply	100 ~ 250 VAC
Reference frequency	10 MHz	Operational temperature	23 +/- 5 C
Input level	3 +/- 2 dBm	Dimension	466W x 435D x 135H mm (19 in x 3U)
Connector	SMA	Weight	< 15 kg

*² Input laser should be stable and line-width less than 10 MHz is recommended.

1,550nm +/- 2.5 nm is available to input. Other center wavelength in 1,530~1,565nm is on user's request.

*³ External input is standard. Internal is optional.

Ver.2.10

This brochure is subject to change without notice.

Optical Comb, Inc.

■ Office

Kanda Misaki-cho Building 3F
3-6-12, Kanda Misaki-cho, Chiyoda-ku
Tokyo 101-0061 Japan
TEL.+81-3-6380-9807 Fax. +81-3-6380-9795

URL. <https://www.optocomb.com>
Email. info@optocomb.com